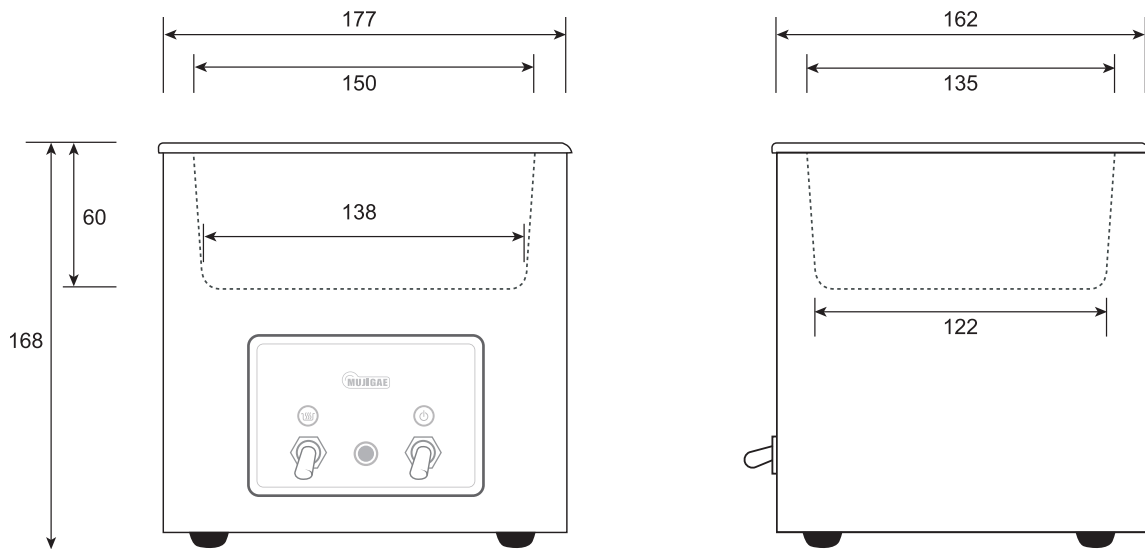


SD-100H



FEATURE

- **Simple Operation**
Simple operation by on/off switch
- **Strong Durability**
Waterproof by silicon, Strong ABS body
- **Strong Cleaning Performance**
Built in powerful BLT vibrator
- **Warming up mode**
Keep up the temperature of liquid(65°C)



SPECIFICATIONS

Model	SD-100H
Inside Diameter	150(W) x 135(L) x 60(H)
Outside Diameter	177(W) x 162(L) x 168(H)
Capacity	1.2L
Ultrasonic Frequency	28kHz
Ultrasonic Output	50W
Power Consumption	132W
Gross Weight	1.8kg(Net Weight) / 2.3kg(Gross Weight)
Power	AC220V / 60Hz
Heat Capacity	55W
Operation Time	Ultrasonic operation : max. 5min. Thermostat : 65°C +-10%
Materials	Tub:SUS-304, Body: ABS-GP22
Spare parts	Cover, Fuse x 2, Manual
Accessory	BT-80, Ballbasket