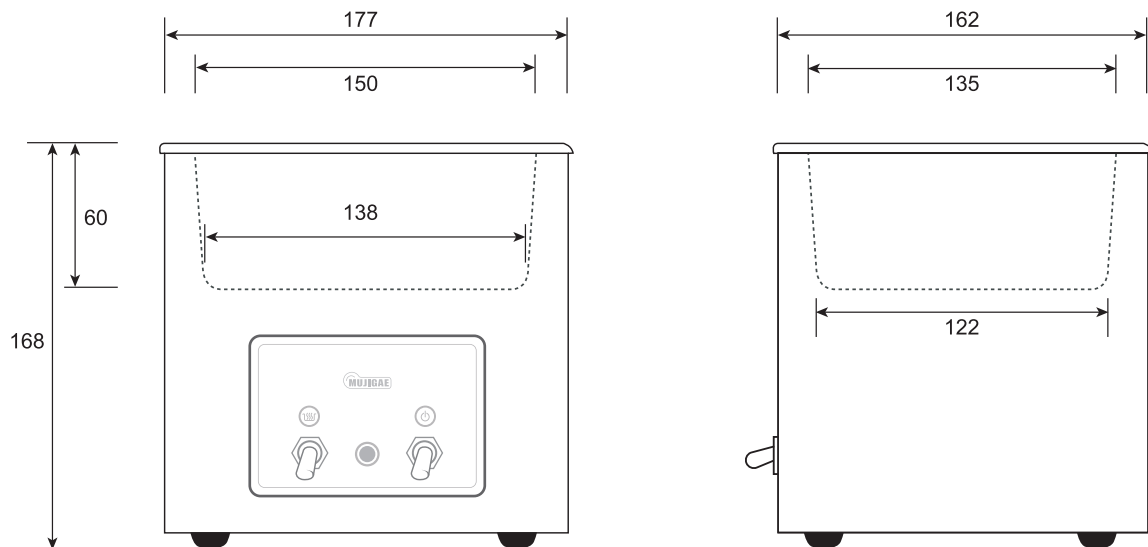


SD-80H



FEATURE

- Simple Operation
Simple operation by on/off switch
- Strong Durability
Waterproof by silicon, Strong ABS body
- Strong Cleaning Performance
Built in powerful BLT vibrator
- Warming up mode
Keep up the temperature of liquid(65c)



SPECIFICATIONS

Model	SD- 80H
Inside Diameter	150(W) x 135(L) x 60(H)
Outside Diameter	177(W) x 162(L) x 168(H)
Capacity	1.2L
Ultrasonic Frequency	40kHz
Ultrasonic Output	50W
Power Current	117W
Gross Weight	1.7kg(Net Weight) / 2.1kg(Gross Weight)
Power	AC220V / 60Hz
Heat Capacity	55W
Operation Time	Ultrasonic operation : max. 5min. Thermostat : 65c +-10%
Materials	Tub:SUS-304, Body : ABS-GP22
Spare parts	Cover, Fuse x 2, Manual
Accessory	BT-80, Ballbasket