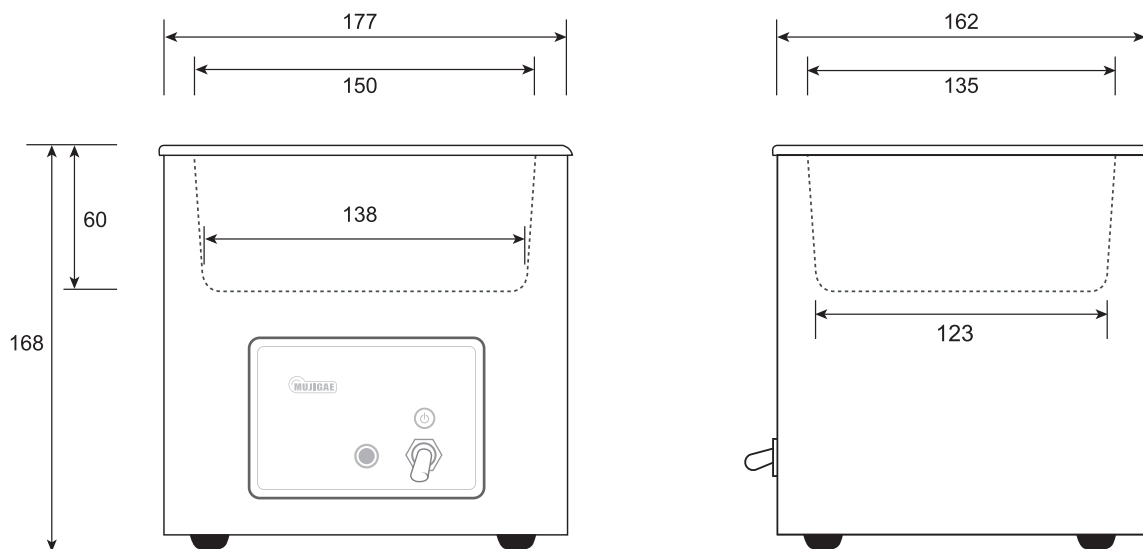


## SD-80W



### FEATURE

- Simple Operation  
Simple operation by on/off switch
- Strong Durability  
Waterproof by silicon, Strong ABS body
- Strong Cleaning Performance  
Built in powerful BLT vibrator



### SPECIFICATIONS

Model	SD- 80W
Inside Diameter	150(W) x 135(L) x 60(H)
Outside Diameter	177(W) x 162(L) x 168(H)
Capacity	1.2L
Ultrasonic Frequency	40kHz
Ultrasonic Output	50W
Power Current	66W
Gross Weight	1.6kg(Net Weight) / 2kg(Gross Weight)
Power	AC220V / 60Hz
Operation Time	Ultrasonic operation : max 5min.
Materials	Tub:SUS-304, Body: ABS-GP22
Spare parts	Cover, Fuse x 2, Manual
Accessory	BT-80, Ballbasket