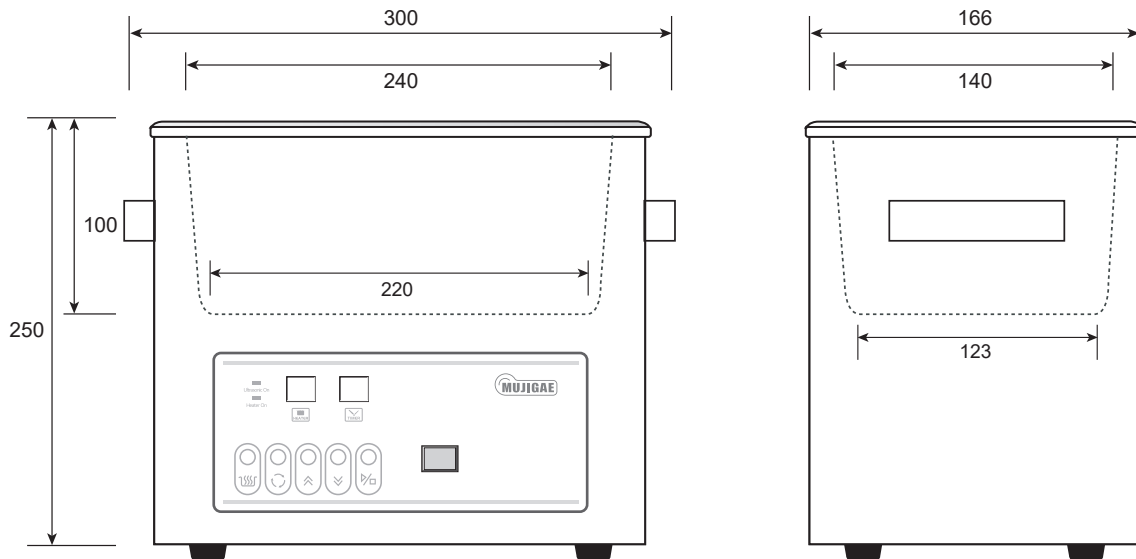


## SD-D200H



### FEATURE

- **Digital Indicator**  
 Display current temperature & Ultrasonic operation
- **Strong Durability**  
 Waterproof by silicon, Strong stainless body
- **DEGAS**  
 The "Degas function" speed up the escaping of the gas containing in the tub.
- **SWEEP**  
 Generate 2 different sequential frequencies to clean more widely/efficiently during ultrasonic operation.



### SPECIFICATIONS

Model	SD-D200H
Inside Diameter	240(W) x 140(L) x 100(H)
Outside Diameter	300(W) x 166(L) x 250(H)
Capacity	3.3L
Ultrasonic Frequency	40 kHz
Ultrasonic Output	100W
Power Consumption	230W
Gross Weight	4.2kg(Net Weight) / 5kg(Gross Weight)
Power	AC 220V / 60Hz
Operation Time	Operation time : 30min. Thermostat : 30~85°C +- 10%
Materials	Tub: SUS-304, Body: SUS-430
Spare parts	Cover, Fuse x 2, Manual
Accessory	BT-200, Ballbasket